

Clarke®



3 IN1 MULTI SANDER

MODEL NO: CMS200

PART NO: 6462053

OPERATION & MAINTENANCE INSTRUCTIONS



ORIGINAL INSTRUCTIONS

GC0719 - ISS 1

INTRODUCTION

Thank you for purchasing this CLARKE 3 in 1 Sander, which is designed for DIY use.

Before attempting to use this product, please read this manual thoroughly and follow the instructions carefully. In doing so you will ensure the safety of yourself and that of others around you, and you can look forward to your purchase giving you long and satisfactory service.

GUARANTEE

This product is guaranteed against faulty manufacture for a period of 12 months from the date of purchase. Please keep your receipt which will be required as proof of purchase.

This guarantee is invalid if the product is found to have been abused or tampered with in any way, or not used for the purpose for which it was intended.

Faulty goods should be returned to their place of purchase, no product can be returned to us without prior permission. This guarantee does not effect your statutory rights.

SPECIFICATIONS

Rated Voltage	230V~50Hz
Power Input	200 W
Speed Range	10,000 rpm
Sound Pressure Level LpA	75.7 dB(A), Uncertainty Factor (K) 3 dB(A)
Sound Power Level LWA	86.7 dB(A), Uncertainty Factor (K) 3 dB(A)
Net Weight	1.78 kg (unpacked)
Vibration	3.731 m/s ² Uncertainty Factor (K) 1.5
Dimensions (L x W x H)	290 mm x 110 mm x 200 mm
Sanding Pad size	Delta sanding pad 208 x 110 mm Random orbit pad 125 mm diameter 1/3 sheet sanding pad 230 x 90 mm

POWER TOOL SAFETY WARNINGS

WORK AREA

1. **Keep the work area clean and well lit.** Cluttered and dark areas invite accidents.
2. **Do not operate power tools in explosive atmospheres, such as in the presence of flammable liquids or gases.** Power tools create sparks which may ignite the dust or fumes.
3. **Keep children and bystanders away while operating a power tool.** Distractions can cause you to lose control.

ELECTRICAL SAFETY

1. **Power tool plugs must match the outlet. Never modify the plug in any way. Do not use adaptor plugs with earthed (grounded) power tools.** Unmodified plugs and matching outlets will reduce the risk of electric shock.
2. **Do not expose power tools to rain or wet conditions.** Water entering a power tool will increase the risk of electric shock.
3. **Do not abuse the cable.** Never use it for carrying, pulling or unplugging the power tool. Keep the cable away from heat, oil, sharp edges or moving parts. Damaged or entangled cables increase the risk of electric shock.
4. **When operating a power tool outdoors, use an extension cable suitable for outdoor use.** Use of a cable suitable for outdoor use reduces the risk of electric shock
5. **If operating the power tool in a damp location is unavoidable, use a residual current device (RCD) protected supply.**

PERSONAL SAFETY

1. **Stay alert, watch what you are doing and use common sense when operating a power tool.** Do not use a power tool while you are tired or under the influence of drugs, alcohol or medication. A moment of inattention while operating power tools may result in personal injury.
2. **Use safety equipment. Always wear eye protection.** Safety equipment such as dust mask, non-skid safety shoes, hard hat, or hearing protection used for appropriate conditions will reduce personal injuries.
3. **Avoid accidental starting.** Ensure the switch is in the off position before plugging in. Carrying power tools with your finger on the switch or plugging in power tools that have the switch on invites accidents.
4. **Remove any wrench before turning the power tool on.** A wrench left attached to a rotating part may result in personal injury.

5. **Do not overreach.** Keep proper footing and balance at all times. This enables better control of the power tool in unexpected situations.
6. **Dress properly.** Do not wear loose clothing or jewellery. Keep your hair, clothing and gloves away from moving parts. Loose clothes, jewellery or long hair can be caught in moving parts.

POWER TOOL USE AND CARE

1. **Do not force the power tool.** Use the correct accessories for your application. The correct power tool will do the job better and safer at the rate which it was designed for.
2. **Do not use the power tool if the switch does not turn it on and off.** Any power tool that cannot be controlled with the switch is dangerous and must be repaired.
3. **Disconnect the plug from the power source before changing accessories, or storing power tools.** Such preventive safety measures reduce the risk of starting the power tool accidentally.
4. **Store idle tools out of the reach of children and do not allow persons unfamiliar with the power tool or these instructions to operate it.** Power tools are dangerous in the hands of untrained users.
5. **Maintain power tools.** Check for misalignment or binding of moving parts, breakage of parts and any other condition that may affect the power tool's operation. If damaged, have the power tool repaired before use. Many accidents are caused by poorly maintained power tools.
6. **Use the power tool and accessories in accordance with these instructions and in the manner intended, taking into account the working conditions and the work to be performed.** Use of the power tool for operations different from intended could result in a hazardous situation.
7. The performance of this tool may vary, depending upon variations in line voltage. Extension cable usage may also affect performance.

SERVICE

1. **Have your power tool serviced by qualified service personnel using only identical replacement parts.** This will ensure that the safety of the power tool is maintained.

ADDITIONAL SAFETY WARNINGS FOR SANDERS

1. **Secure the workpiece to a stable platform.** Holding the workpiece by hand or against your body may lead to loss of control.
2. **Dust arising from sanding may endanger the health of the operator and possible bystanders.** Wear a dust mask and ensure that persons entering the work area are also protected.
3. **Remove all dust after sanding.**

4. Take care when sanding lead based paint or when sanding wood or metal which may produce toxic dust, - do not let children or pregnant women enter the work area.

VIBRATION

The declared vibration emission values stated in the specification have been measured in accordance with a standard test method provided by EN 60745 and may be used for comparing one tool with another. The declared vibration emission value may also be used in a preliminary assessment of exposure.



WARNING: THE VIBRATION EMISSION VALUE DURING ACTUAL USE OF THE POWER TOOL CAN DIFFER FROM THE DECLARED VALUE DEPENDING ON THE WAYS IN WHICH THE TOOL IS USED. THE VIBRATION LEVEL MAY INCREASE ABOVE THE LEVEL STATED.

EXPLANATION OF SYMBOLS & PICTOGRAMS



Read instruction manual before use.



Wear safety glasses or goggles when using the tool.



Wear ear protection when using this tool.



Wear a dust mask when using this tool.

ELECTRICAL CONNECTIONS



WARNING: READ THESE ELECTRICAL SAFETY INSTRUCTIONS THOROUGHLY BEFORE CONNECTING THE PRODUCT TO THE MAINS SUPPLY.

Before switching the product on, make sure that the voltage of your electricity supply is the same as that indicated on the rating plate. This product is designed to operate on 230VAC 50Hz. Connecting it to any other power source may cause damage.

This product may be fitted with a non-rewireable plug. If it is necessary to change the fuse in the plug, the fuse cover must be refitted. If the fuse cover becomes lost or damaged, the plug must not be used until a suitable replacement is obtained.

If the plug has to be changed because it is not suitable for your socket, or due to damage, it should be cut off and a replacement fitted, following the wiring instructions shown below. The old plug must be disposed of safely, as insertion into a mains socket could cause an electrical hazard.

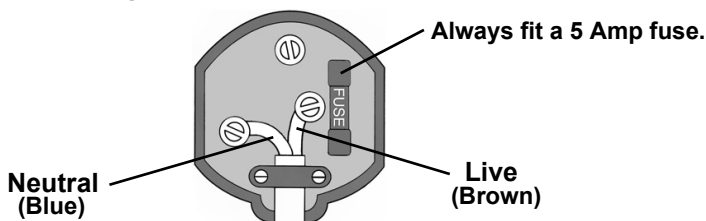


**WARNING: THE WIRES IN THE POWER CABLE OF THIS PRODUCT ARE COLOURED IN ACCORDANCE WITH THE FOLLOWING CODE:
BLUE = NEUTRAL BROWN = LIVE**

If the colours of the wires in the power cable of this product do not correspond with the markings on the terminals of your plug, proceed as follows.

- The **Blue** wire must be connected to the terminal marked **N**.
- The **Brown** wire must be connected to the terminal marked **L**.

Plug must be BS1363/A approved.



Ensure that the outer sheath of the cable is firmly held by the clamp

We strongly recommend that this sander is connected to the mains supply via a Residual Current Device (RCD)



This symbol indicates that this is a Class II product and does not require an earth connection.

BEFORE USE

The sander is supplied with the following items:

- Delta Sanding Baseplate (fitted)
 - includes 1 x 60 grit Delta sanding sheet
 - 1 x 80 grit Delta sanding sheet
- Random Orbit Sanding Baseplate
 - (includes 1 x 60 grit Random orbit sanding sheet
 - 1 x 60 grit Random orbit sanding sheet
- 1/3 Sheet Sanding Baseplate
 - (includes 1 x 60 grit 1/3 sanding sheet
 - 1 x 60 grit 1/3 sanding sheet
- Dust collection adaptor
- Integral dust filter canister (fitted)
- Hex key

Your sander should be received with the Delta baseplate and dust filter canister already attached.

DUST COLLECTION



WARNING: HARMFUL OR TOXIC DUST MAY BE PRODUCED WHEN SANDING LEAD PAINTED SURFACES, WOODS OR METAL. CONTACT WITH, OR INHALATION OF THESE DUSTS CAN ENDANGER THE HEALTH OF THE OPERATOR OR BYSTANDERS. CERTAIN DUSTS LIKE OAK AND BEECH ARE CONSIDERED TO BE CANCEROUS IN CONJUNCTION WITH ADDITIVES IN WOOD TREATMENTS (CHROMATE, WOOD PRESERVATIVES). ASBESTOS-CONTAINING MATERIALS MAY ONLY BE HANDLED BY EXPERTS.

WARNING: - USE A VACUUM CLEANER TO COLLECT LOOSE DUST.

WARNING: - WORK IN A WELL VENTILATED ROOM. - THE USE OF A DUST MASK FILTER CLASS P2 IS RECOMMENDED. - OBSERVE LOCAL REGULATIONS REGARDING THE HANDLING OF CERTAIN MATERIALS.

FITTING THE DUST EXTRACTION ADAPTER OR FILTER CANISTER

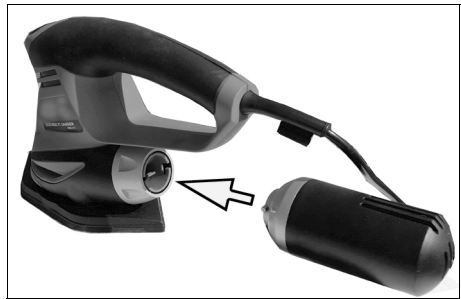
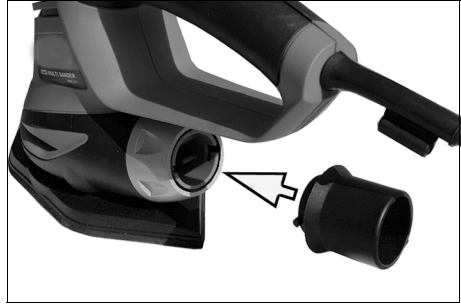
Dust extraction equipment (not supplied), can be used with your sander by connecting a suitable hose to the outlet port in place of the dust filter canister.

1. Attach the dust extraction adaptor by pushing it onto the rear of the sander and locking in place with a half twist.

NOTE: The user should still wear a dust mask to prevent the inhalation of dust.

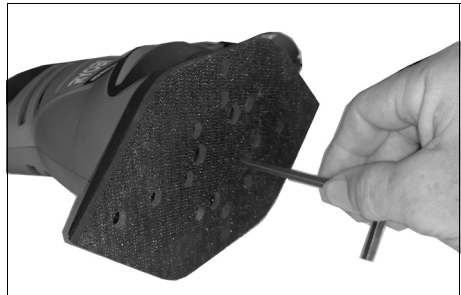
2. Alternatively, fit the filter canister onto the rear of the sander and lock in place with a half twist.

NOTE: Due to the nature of the sander, some of the dust produced will be forced into the surrounding atmosphere and will not be collected.



FITTING THE BASEPLATE AND SANDING PADS

1. Using the hex key supplied, remove the 4 x bolts and install the baseplate of your choice.

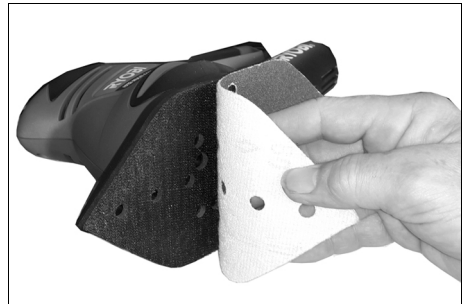
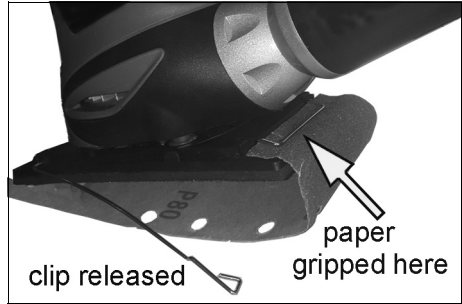


2. Between the baseplate and the sander is a spacer disc. Fit the disc into place, noting that there is a small peg which aligns with a corresponding hole in the sander.
3. Fit the new baseplate, resting each of the four feet into the corresponding socket.
4. Re-tighten the 4 x bolts securely.



SANDING SHEETS

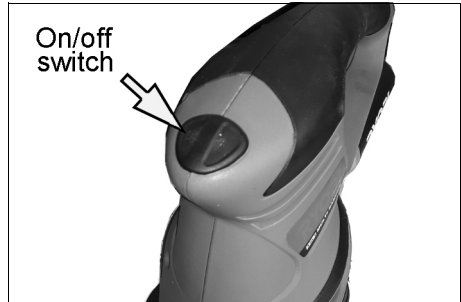
1. When attaching the 1/3 sanding sheet to the baseplate, release the two spring clips - one at each end.
2. Position the sanding sheet so that the holes are aligned with those in the base plate and bend the ends over, securing at each end with the spring clip.
 - It is important that the sanding sheet should be taught across the base when the second clip is secured.
3. If using hook and eye backed sanding sheets, position the sheet so that the holes are aligned with those in the baseplate.
 - This is necessary for dust extraction.
4. Press the sheet firmly onto the baseplate to attach it.



OPERATION

STARTING UP

1. With the sander disconnected from the power supply, select the sanding sheet and baseplate appropriate for the job and attach it to the sander as shown on page 9.
2. To switch the machine ON or OFF press the rocker switch.



OPERATING TECHNIQUE

1. Always hold the sander securely.
2. Regularly check the condition of the sanding sheet and replace when necessary.
3. On very uneven surfaces or when removing layers of paint, start with a coarse grit. On other surfaces, start with a medium grit. In both cases, gradually change to a fine grit for a smooth finish.
4. Always use a sanding sheet that is in good condition as damaged backing will cause damage to the baseplate. Please note that baseplates are NOT covered by your warranty.
5. Always place the sander on the workpiece before switching ON. This will prevent the workpiece from being scored by the edge of a moving sanding sheet.
6. Move the sander evenly and smoothly over the surface of the workpiece with light even pressure. This helps to expel dust particles and produce an even finish and will also prolong the life of the sanding paper.
7. Let the sander do the work, ensuring it is flat on the work surface. Do not apply heavy pressure as this will not only produce an uneven finish but will overload the motor causing it to burn out.
8. Wait until the sander has stopped completely before putting it down.

MAINTENANCE



WARNING: BEFORE PERFORMING ANY MAINTENANCE, SWITCH OFF AND UNPLUG THE SANDER.

Your sander has been designed to operate over a long period of time with a minimum of maintenance. Continuous satisfactory operation depends upon proper care.

Regularly clean the ventilation slots using a soft dry brush or dry cloth. Only clean the motor housing using a clean damp cloth. Do not use any abrasive or solvent-based cleaner.

A damaged power cable should be replaced by your CLARKE dealer or qualified electrician.

The bearings in this sander are sealed for life and require no maintenance.

FAULTFINDING

SANDER IS OVERHEATING

This indicates the machine is dirty. Clean the ventilation holes, and blow out with compressed air. Always wear eye protection when using compressed air

Overloading the machine will also cause overheating. Do not use for heavy duty work and do not apply heavy pressure.

EXCESSIVE SPARKING OCCURS

This indicates worn brushes. This problem is quickly remedied but you should consult your CLARKE dealer for parts and advice.

SANDER DOES NOT OPERATE WHEN SWITCHED ON

Check to ensure the fuse is sound and replace if necessary. If the fuse is sound or blows repeatedly, consult your CLARKE dealer.

POOR ABRASION

If the sander is not removing material efficiently, check the sanding paper. If the abrasive is worn down replace the paper. The paper must always be stored in a dry place as if it allowed to become damp, the abrasive particles will detach from the paper and will not abrade.

CONSUMABLES

The following hook and loop backed sanding sheets are available from your CLARKE dealer.

	Grit	Size (mm)	Part No
Pack of 5	60	125 mm diameter	6502060
Pack of 5	80	125 mm diameter	6502061
Pack of 5	120	125 mm diameter	6502062
Pack of 5	60	93 x 187 mm	6502075
Pack of 5	80	93 x 187 mm	6502076
Pack of 5	120	93 x 187 mm	6502077
Pack of 5	60	110 x 210 mm 6-sided	6502079
Pack of 5	80	110 x 210 mm 6-sided	6502080
Pack of 5	120	110 x 210 mm 6-sided	6502081

ENVIRONMENTAL PROTECTION



Recycle unwanted materials instead of disposing of them as waste. All unwanted accessories and packaging should be sorted and taken to a recycling centre for disposal in a manner which is compatible with the environment.

Through purchase of this product, the customer is taking on the obligation to deal with the WEEE in accordance with the WEEE regulations in relation to the treatment, recycling & recovery and environmentally sound disposal of the WEEE.

In effect, this means that this product must not be disposed of with general household waste. It must be disposed of according to the laws governing Waste Electrical and Electronic Equipment (WEEE) at a recognised disposal facility.

DECLARATION OF CONFORMITY



Clarke[®]
INTERNATIONAL

Hemnall Street, Epping, Essex CM16 4LG

DECLARATION OF CONFORMITY

This is an important document and should be retained.

We hereby declare that this product(s) complies with the following directive(s):

2014/30/EU *Electromagnetic Compatibility Directive.*

2006/42/EC *Machinery Directive.*

2011/65/EU *Restriction of Hazardous substances.*

The following standards have been applied to the product(s):

EN 62841-2-4:2014, EN 62841-1:2015, EN 55014-1:2017, EN 55014-2:2015,

EN 61000-3-2:2014, EN 61000-3-3:2013.

The technical documentation required to demonstrate that the product(s) meet(s) the requirement(s) of the aforementioned directive(s) has been compiled and is available for inspection by the relevant enforcement authorities.

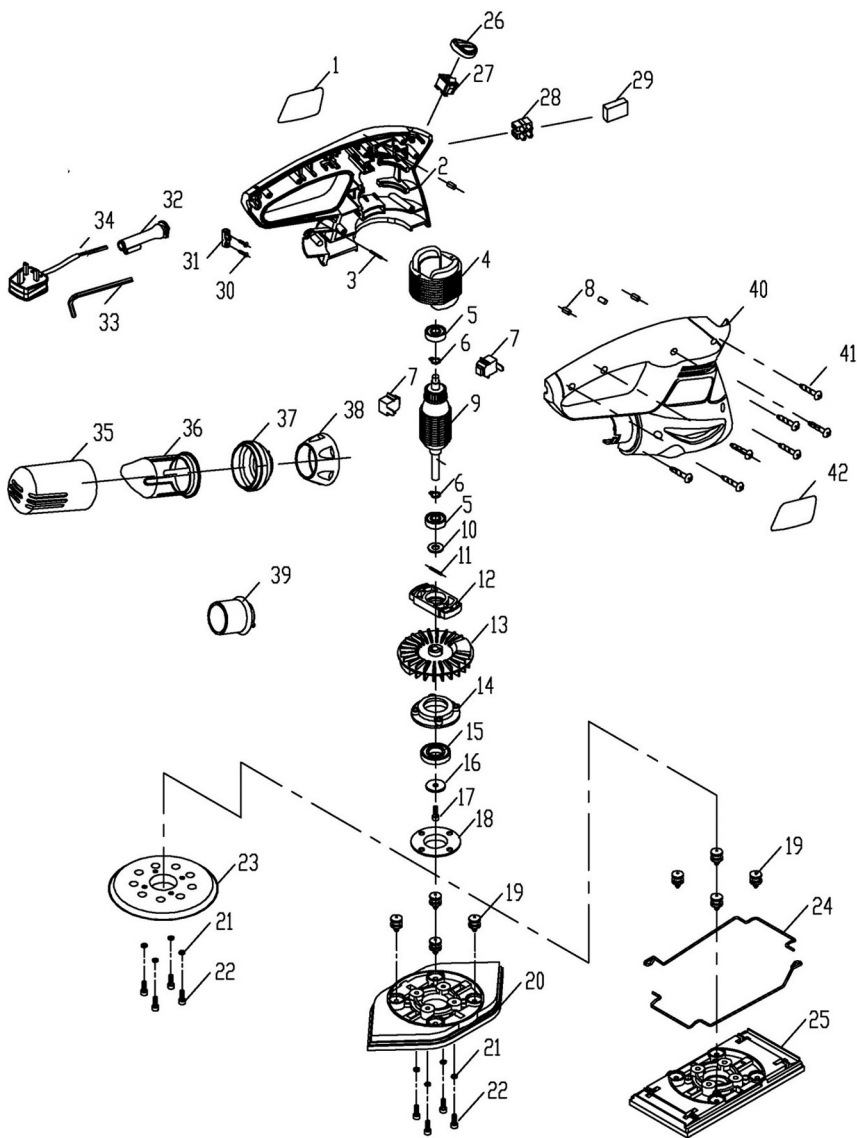
The CE mark was first applied in: 2019

Product Description: 200W 3 in 1 Corded Electric Sander
Model number(s): CMS200
Serial / batch Number: N/A
Date of Issue: 11/07/2019

Signed:

J.A. Clarke
Director

COMPONENT PARTS



COMPONENT PARTS

No	Description
1	Clarke Label
2	Left Housing
3	Roll Pin
4	Stator
5	Bearing
6	Circlip
7	Carbon Brush
8	Rubber Block
9	Rotor
10	Flat Washer
11	Dowel Pin
12	Bracket
13	Fan
14	Bearing Base
15	Bearing
16	Shim
17	Screw
18	Shim
19	Synthetic Foot
20	Delta Baseplate
21	Spacer

No	Description
22	Screw
23	125 mm Baseplate
24	Sanding Sheet Retaining Clip
25	Rectangular Baseplate
26	Switch Cover
27	On/Off Switch
28	Connecting Block
29	Capacitor 0.22uF
30	Screw
31	Cable Clamp
32	Cable Protector
33	4mm Allen Key
34	Power Cable
35	Dust Canister
36	Dust Collecting Bag
37	Bayonet Connector
38	Clasp
39	Adaptor
40	Right Housing
41	Screw
42	Clarke Label

A SELECTION FROM THE VAST RANGE OF

Clarke®

QUALITY PRODUCTS

AIR COMPRESSORS

From DIY to industrial, Plus air tools, spray guns and accessories.

GENERATORS

Prime duty or emergency standby for business, home and leisure.

POWER WASHERS

Hot and cold, electric and engine driven - we have what you need

WELDERS

Mig, Arc, Tig and Spot. From DIY to auto/industrial.

METALWORKING

Drills, grinders and saws for DIY and professional use.

WOODWORKING

Saws, sanders, lathes, mortisers and dust extraction.

HYDRAULICS

Cranes, body repair kits, transmission jacks for all types of workshop use.

WATER PUMPS

Submersible, electric and engine driven for DIY, agriculture and industry.

POWERTOOLS

Angle grinders, cordless drill sets, saws and sanders.

STARTERS/CHARGERS

All sizes for car and commercial use.



PARTS & SERVICE: 0208 988 7400

E-mail: Parts@clarkeinternational.com or Service@clarkeinternational.com

SALES: UK 01992 565333 or Export 00 44 (0)1992 565335

Clarke® INTERNATIONAL Hemnall Street, Epping, Essex CM16 4LG
www.clarkeinternational.com